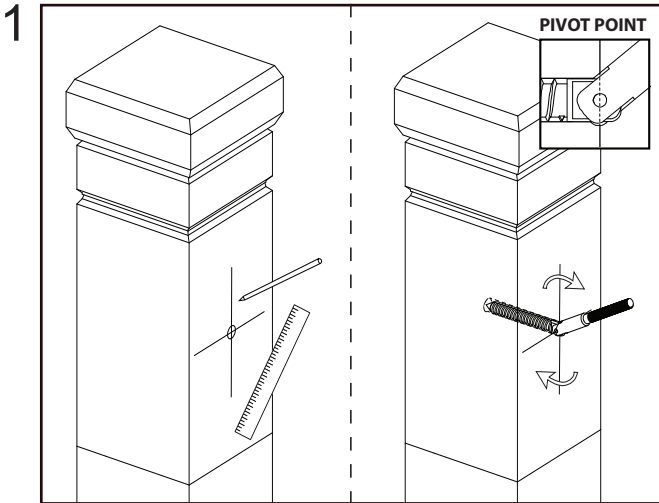
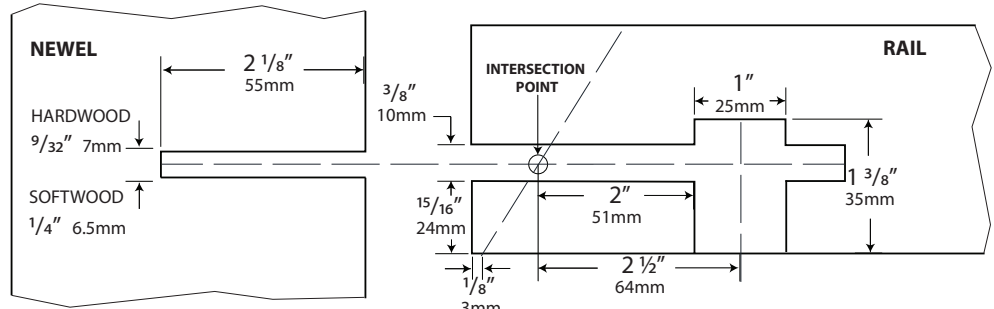
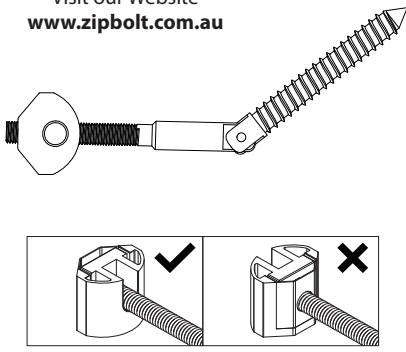
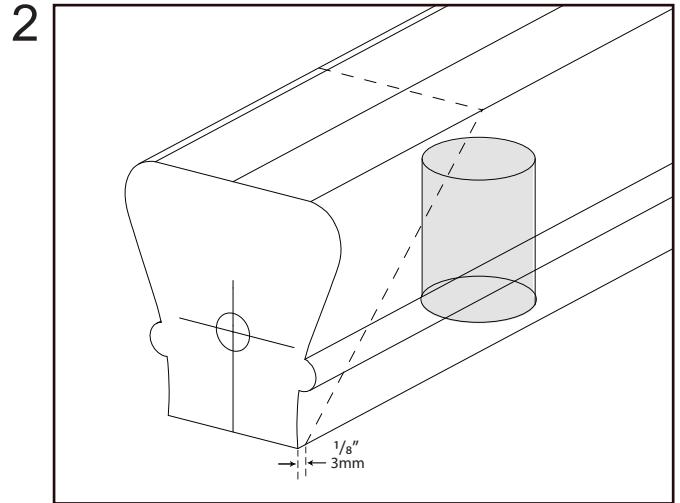


INSTALLATION INSTRUCTIONS

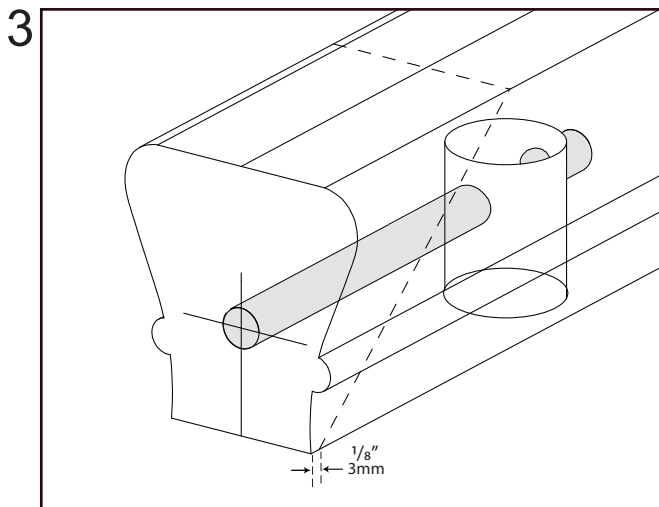
Zipbolt Angled Railbolt - 11.550



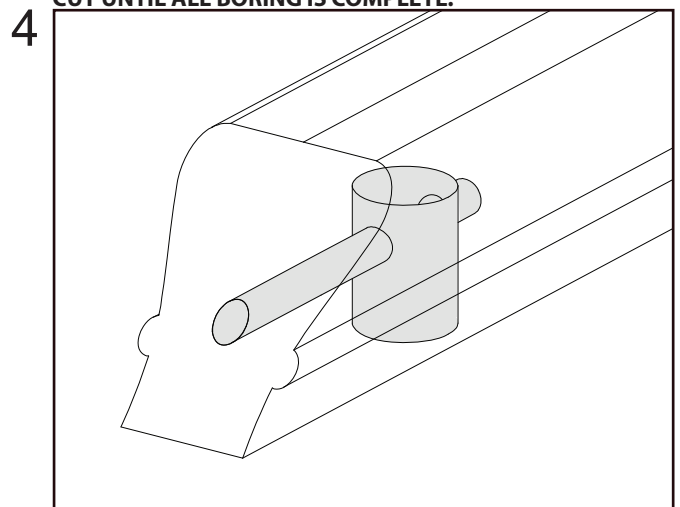
Mark the newel and drill hole. Wind screw end until reaching pivot point using wax as a lubricant.



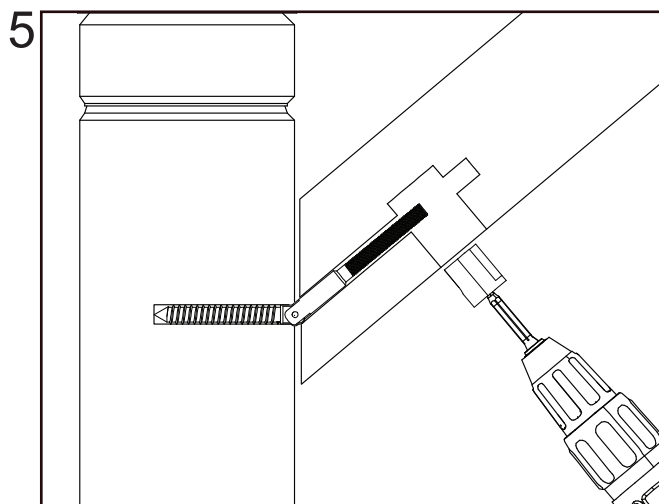
Mark the angle on the rail 1/8" (3mm) from the end. Refer to top diagram for intersection point. **DO NOT CUT UNTIL ALL BORING IS COMPLETE.**



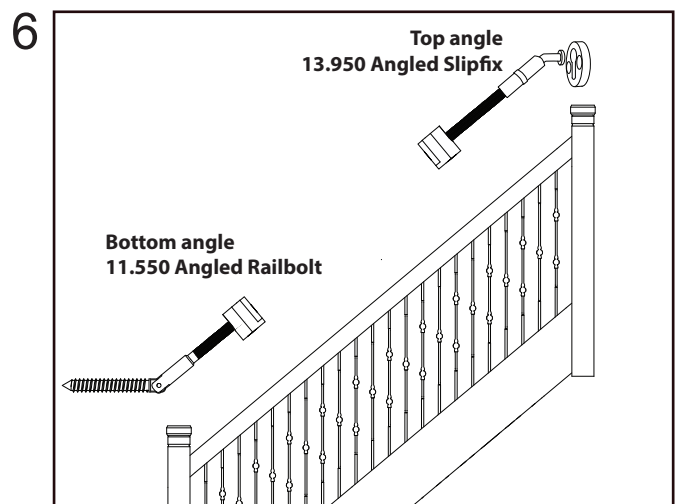
Mark and bore 3/8" (10mm) hole 15/16" (24mm) to centre. **DO NOT CUT UNTIL ALL BORING IS COMPLETE.**



Proceed to cut the angle, the 3/8" (10mm) hole can now be deepened.



Insert gear housing and tighten, use low torque setting on drill. Plug hole and sand.



Job complete.